



Popular Formats Guide

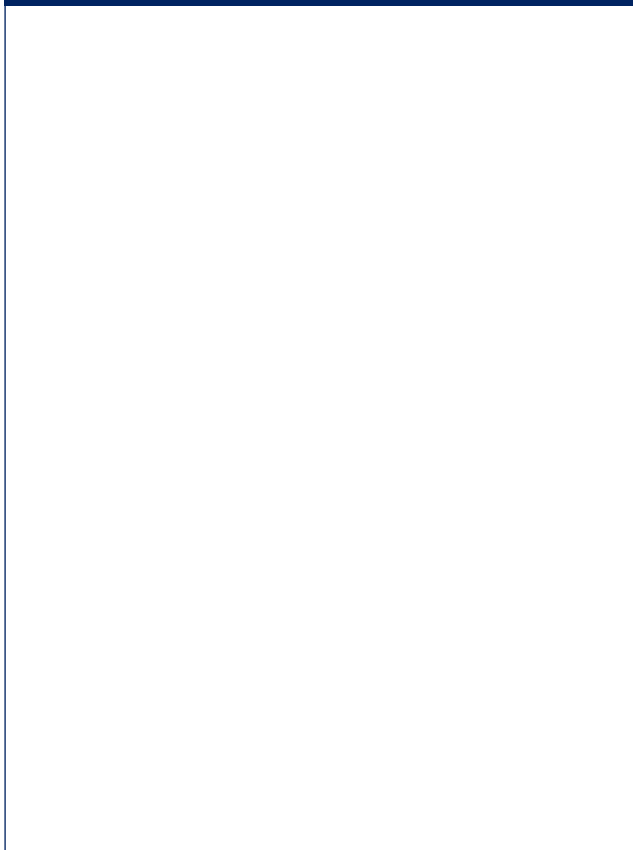
A guide to Richprint's most popular formats and sizes.

www.richprintonline.co.uk

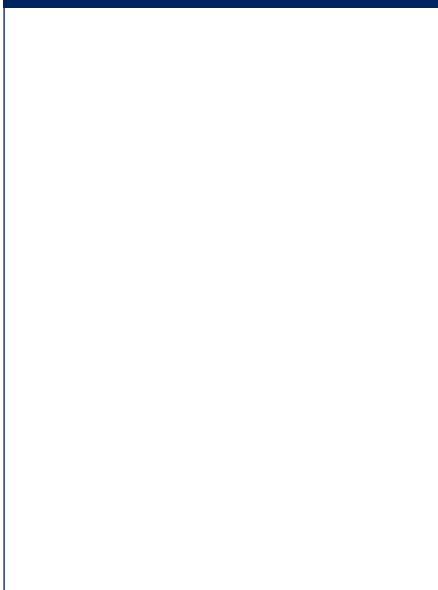
Leaflets

The sizes shown are available with single or double sided print. Other leaflet formats available.

A4 | 210x297mm



A5 | 148x210mm



210mm Square



DL | 99x210mm



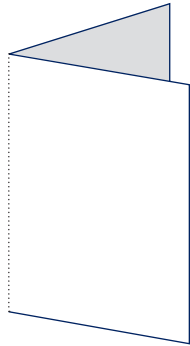
A6 | 105x148mm



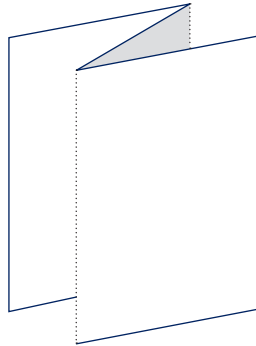
Folded brochures

Our most popular formats & sizes...

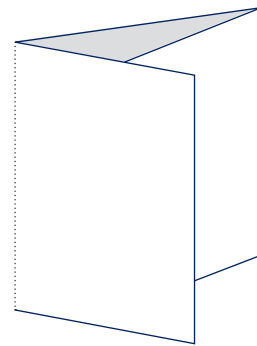
Dimensions shown are the finished size when folded. Other non-standard sizes available.



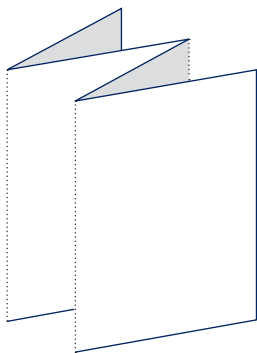
A4 & A5 | 4 page



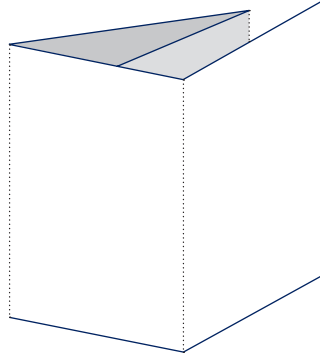
A4 & A5 | 6 page 'z' fold



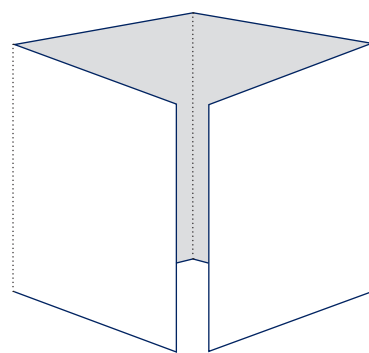
A4 & A5 | 6 page roll fold



A4 & A5 | 8 page 'z' fold



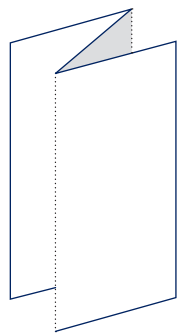
A4 & A5 | 8 page roll fold



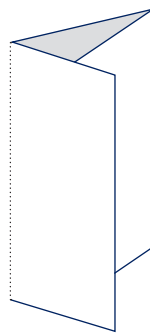
A4 & A5 | 8 page gate fold



DL | 4 page



DL | 6 page 'z' fold



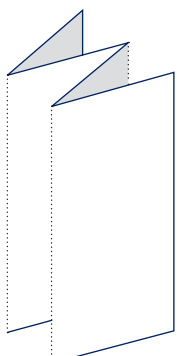
DL | 6 page roll fold

A4 | 210x297mm

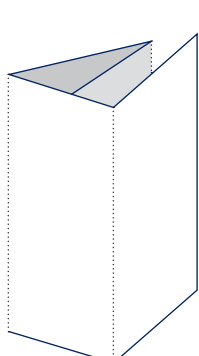
A5 | 148x210mm

DL | 99x210mm

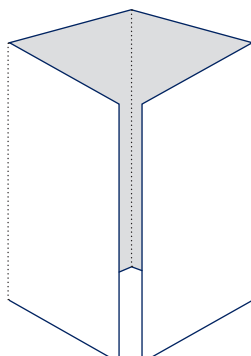
Non-standard sizes also available on request



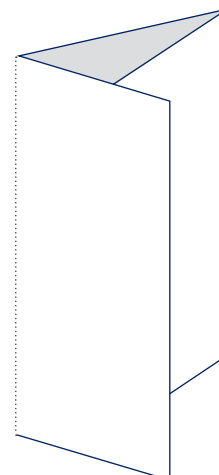
DL | 8 page 'z' fold



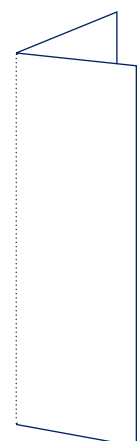
DL | 8 page roll fold



DL | 8 page gate fold



140x297mm
6 page roll fold



105x297mm
4 page

Stapled brochures and catalogues

Our most popular formats & sizes...

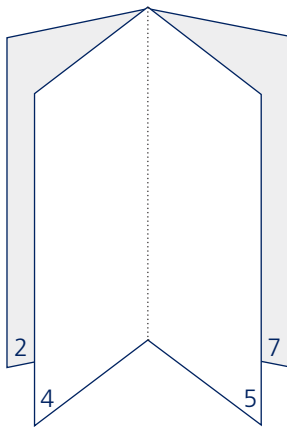
The illustrations below show a standard 8 page brochure.

All 4 formats are available with the following number of pages:

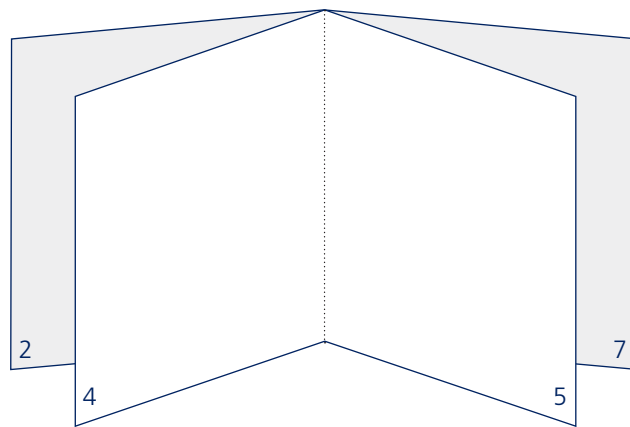
8 - 12 - 16 - 20 - 24 - 28 - 32 - 36 - 40 - 44 - 48 - 52 - 56 - 60 - 64 - 68 - 72 - 76 - 80 - 84 - 88 - 92 - 96

Choose a heavier weight stock for the cover or have the same as the inside pages.

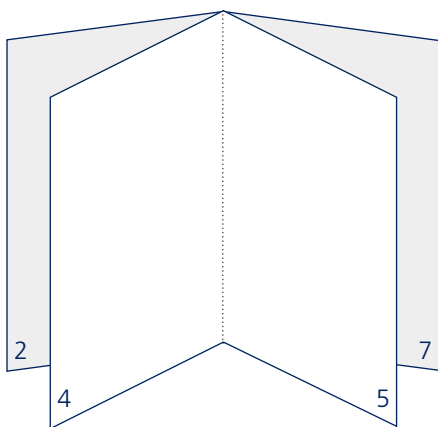
Bespoke brochure sizes and formats available tailor made to your requirements - please ask for details



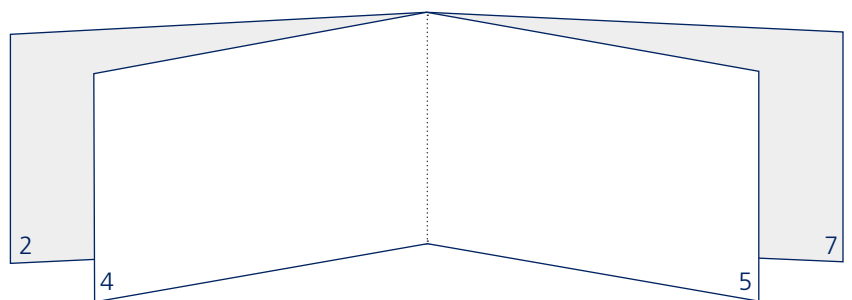
DL | Portrait



210mm | Square



A4 & A5 | Portrait



A4 & A5 | Landscape

Broadsheets and posters

Our most popular formats & sizes...

The sizes shown are available with single or double sided print.

